

## Product Assembly Guide

# COMPONENTS

## RASPBERRY PI MOUNTING KIT

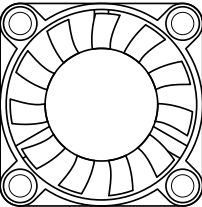


M2.5 x 32



M2.5 10mm Standoff x 16

## FAN KIT



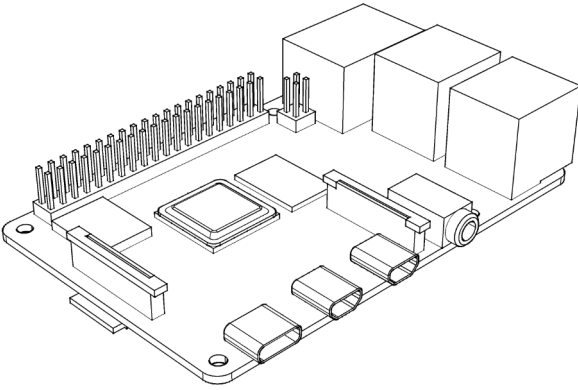
Fan x 4



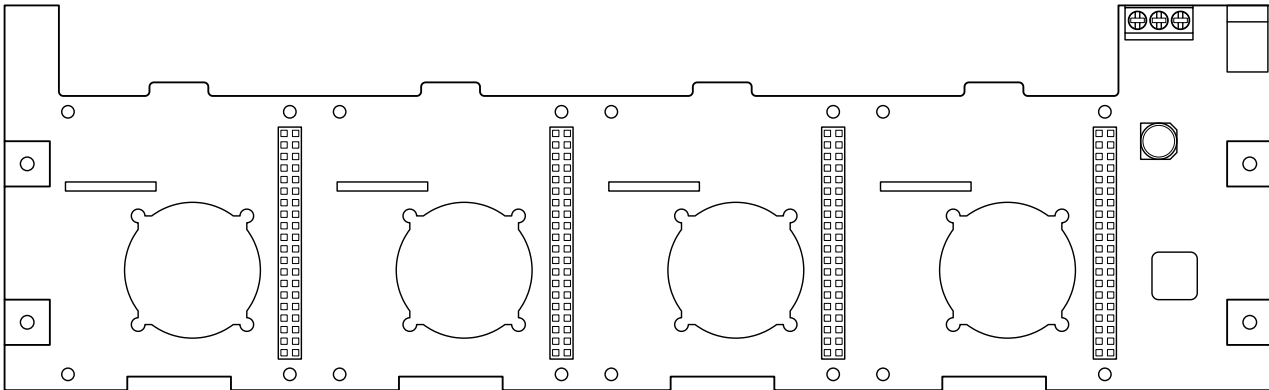
M2.5 10mm x 16



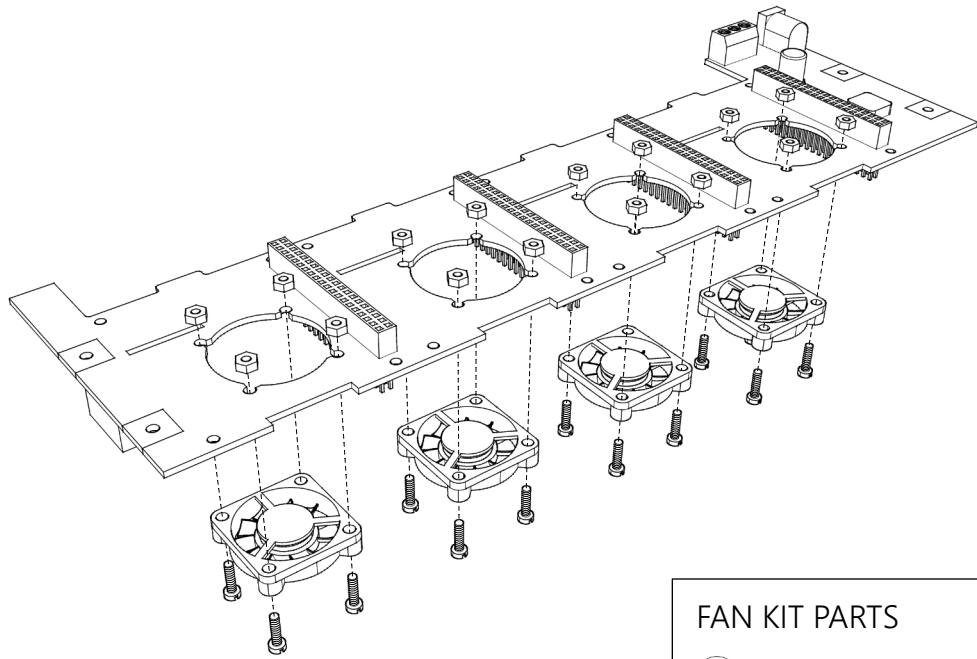
M2.5 Nut x 16





Raspberry Pi x 4  
(sold seperately)

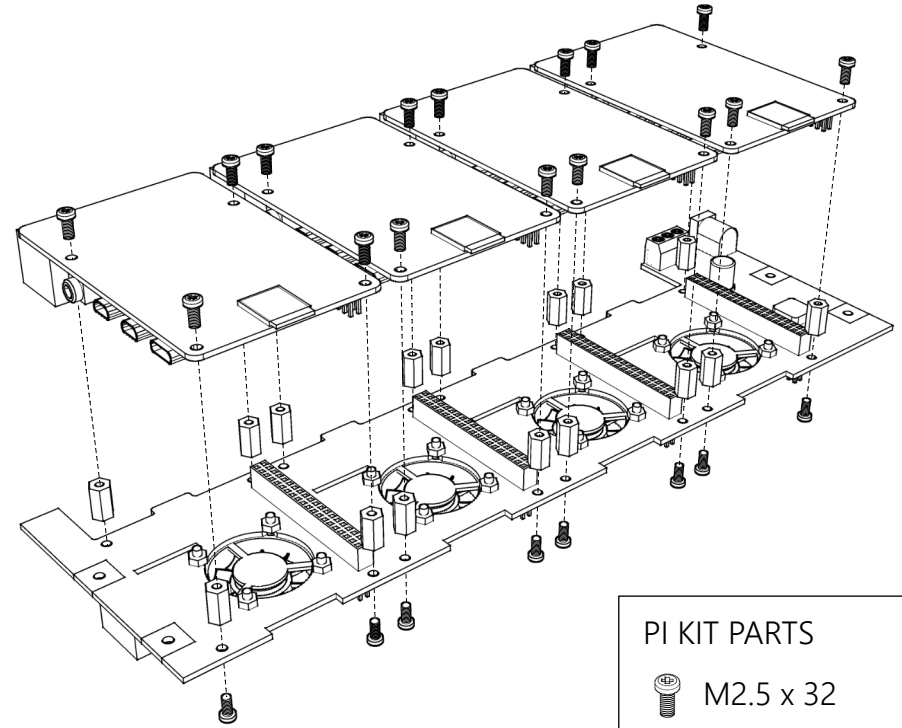


Cluster Blade x 1





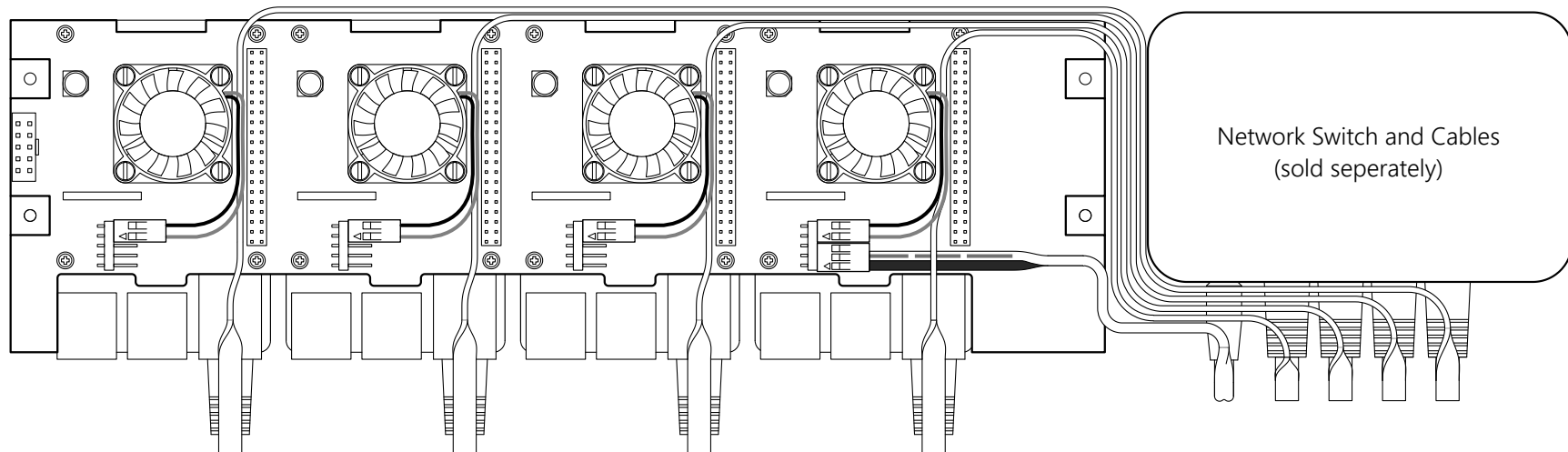
FAN KIT PARTS

-  M2.5 10mm x 16
-  M2.5 Nut x 16



PI KIT PARTS

-  M2.5 x 32
-  M2.5 Standoff x 16



Network Switch and Cables  
(sold seperately)