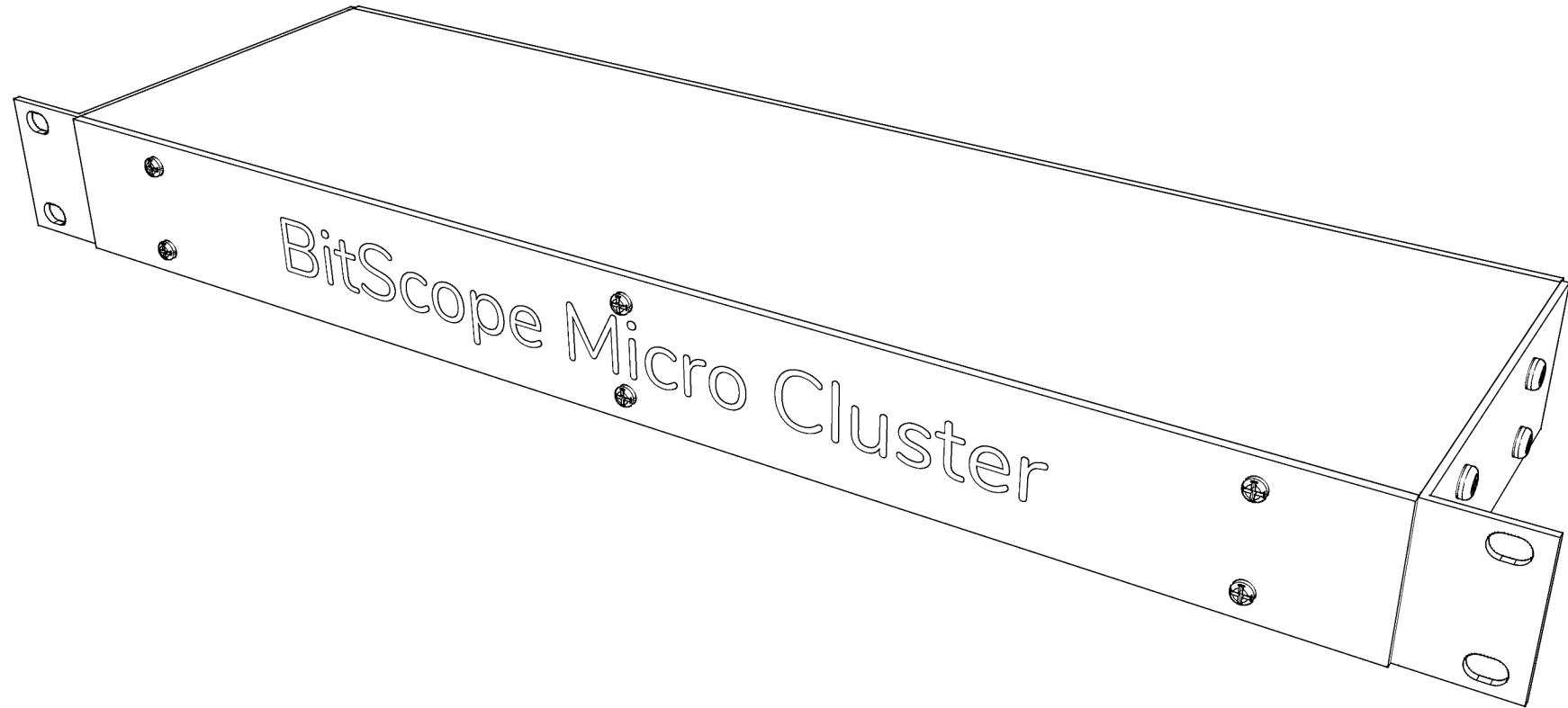


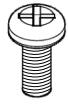
# BitScope

# Micro Cluster

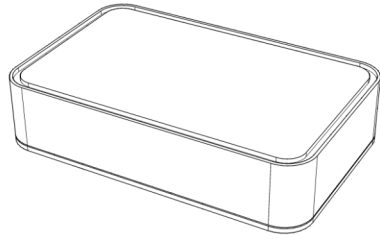


## Product Assembly Guide

# COMPONENTS



M4 10mm x 8



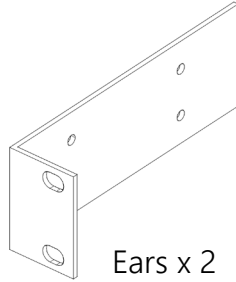
Switch x 1



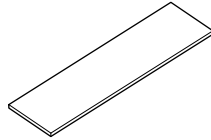
M3 15mm Standoff x 4



M3 6mm x 4



Ears x 2



Double Sided Tape x 2



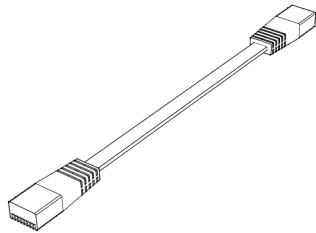
M3 10mm x 12



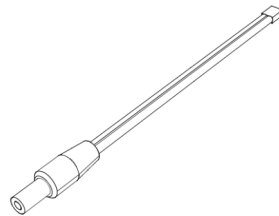
M3 CSK x 4



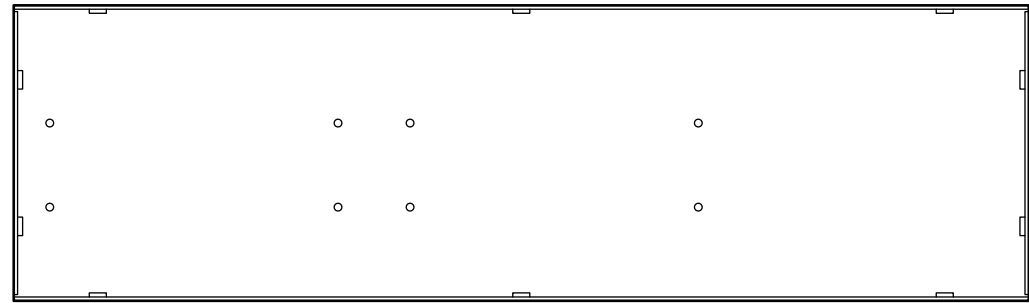
M3 Washer x 4



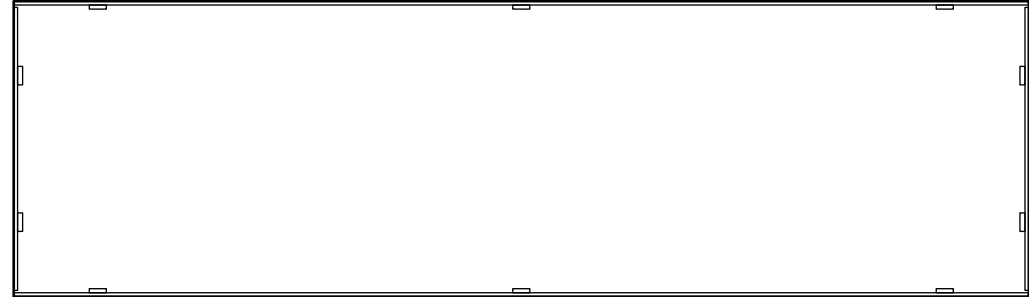
Ethernet Cable x 4



Power Cable x 1



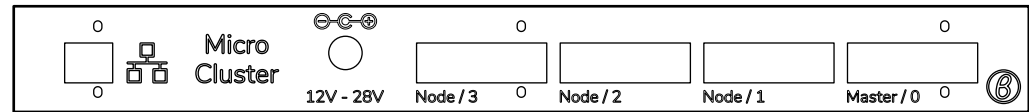
Bottom Tray x 1



Top Tray x 1

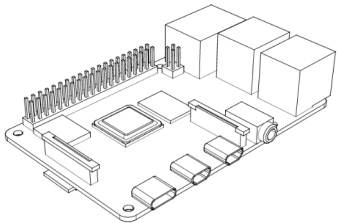


Front Panel x 1



Back Panel x 1

Raspberry Pi x 24



may be supplied separately

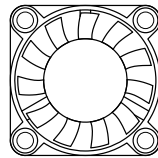
Cluster Blade Kit x 1



M2.5 x 32



M2.5 10mm Standoff x 16



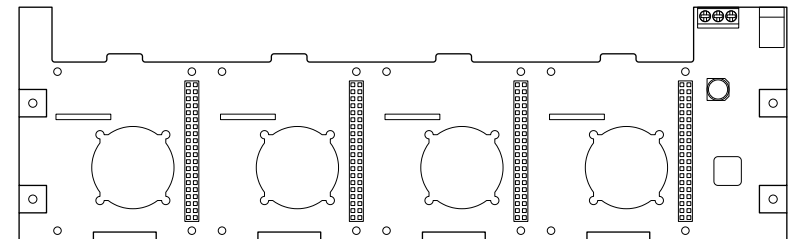
Fan x 4



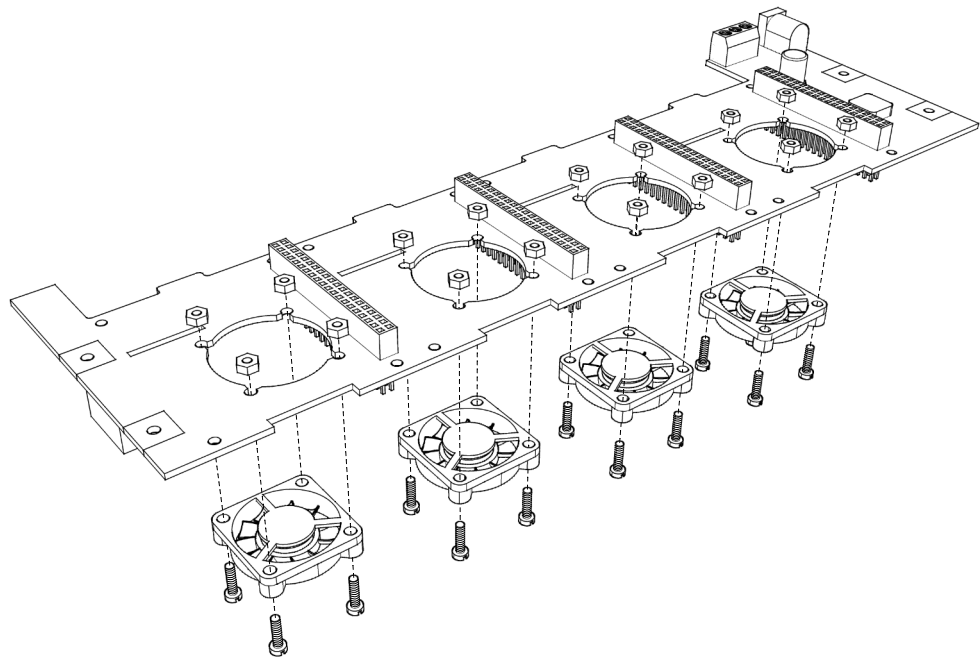
M2.5 10mm x 16





M2.5 Nut x 16



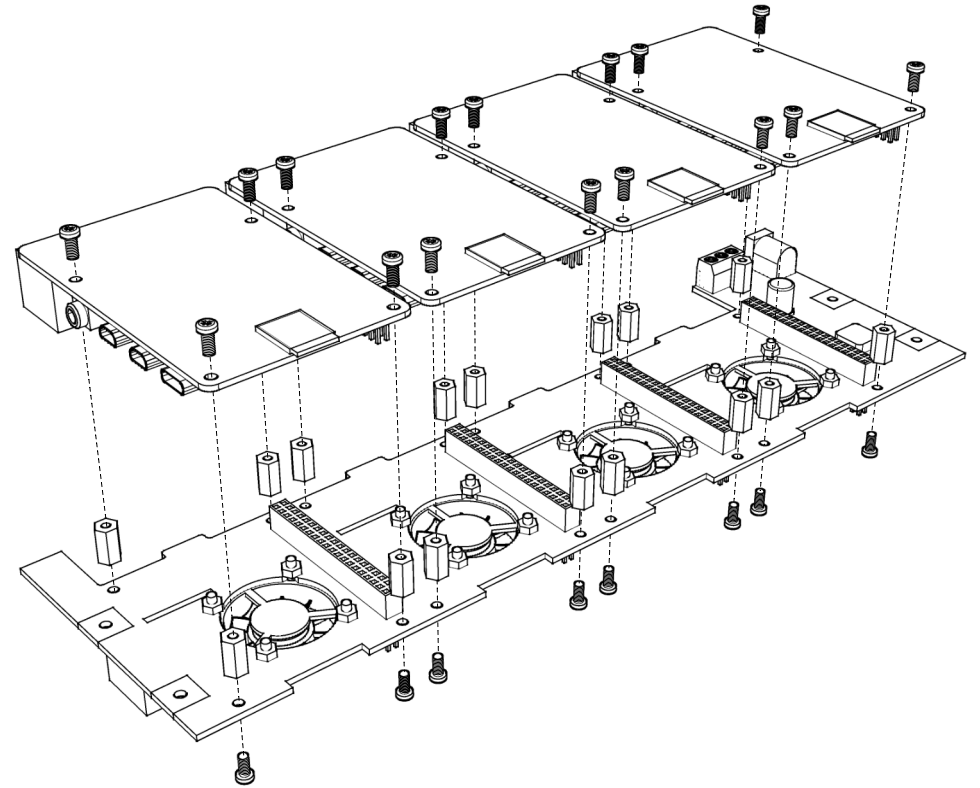
may be pre-assembled





FAN KIT PARTS

-  M2.5 10mm x 16
-  M2.5 Nut x 16

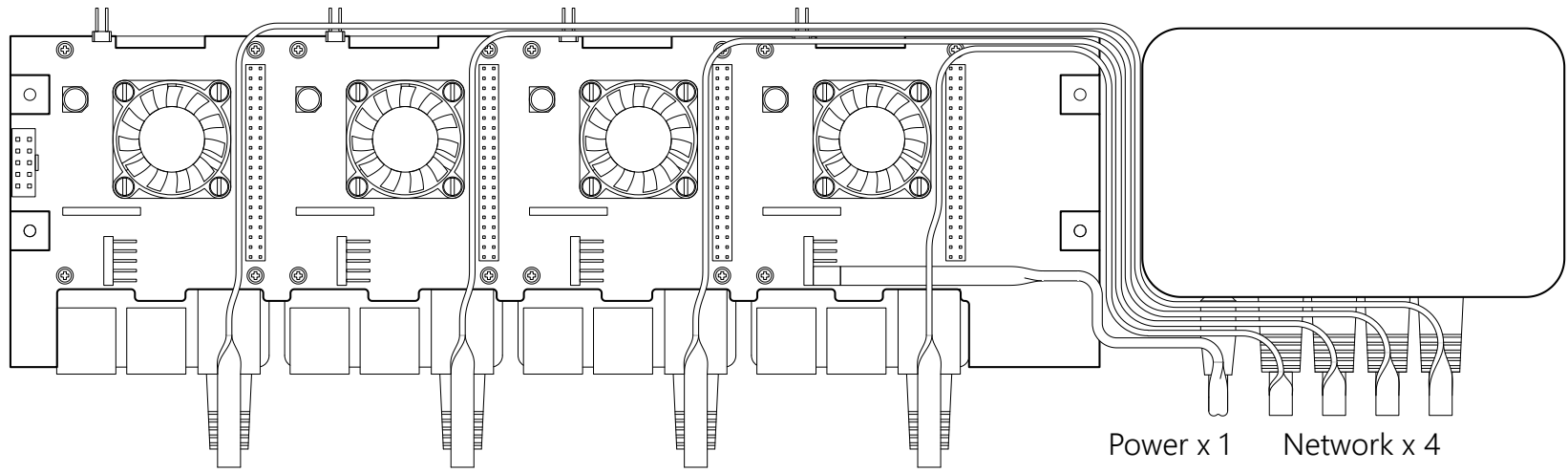
1



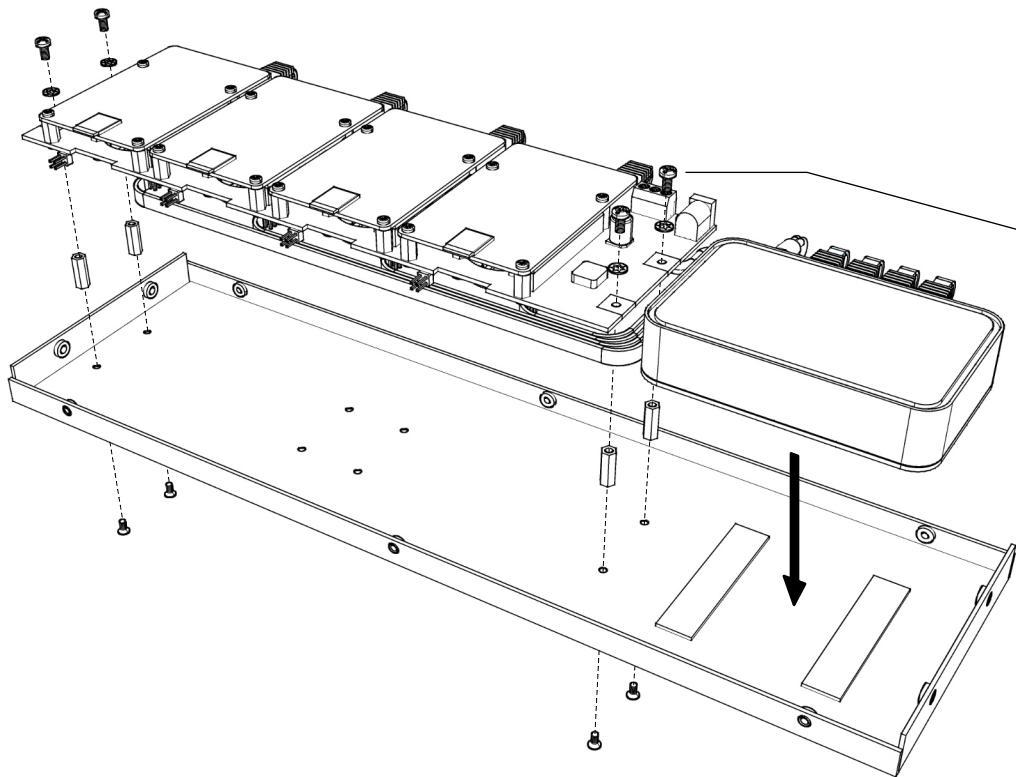
PI KIT PARTS

-  M2.5 x 32
-  M2.5 Standoff x 16

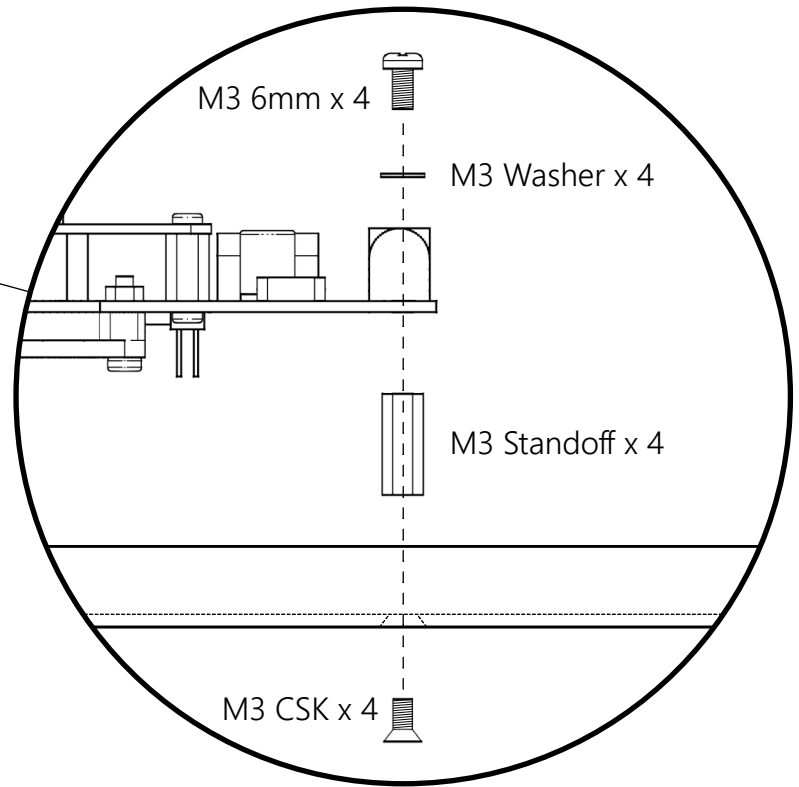
2

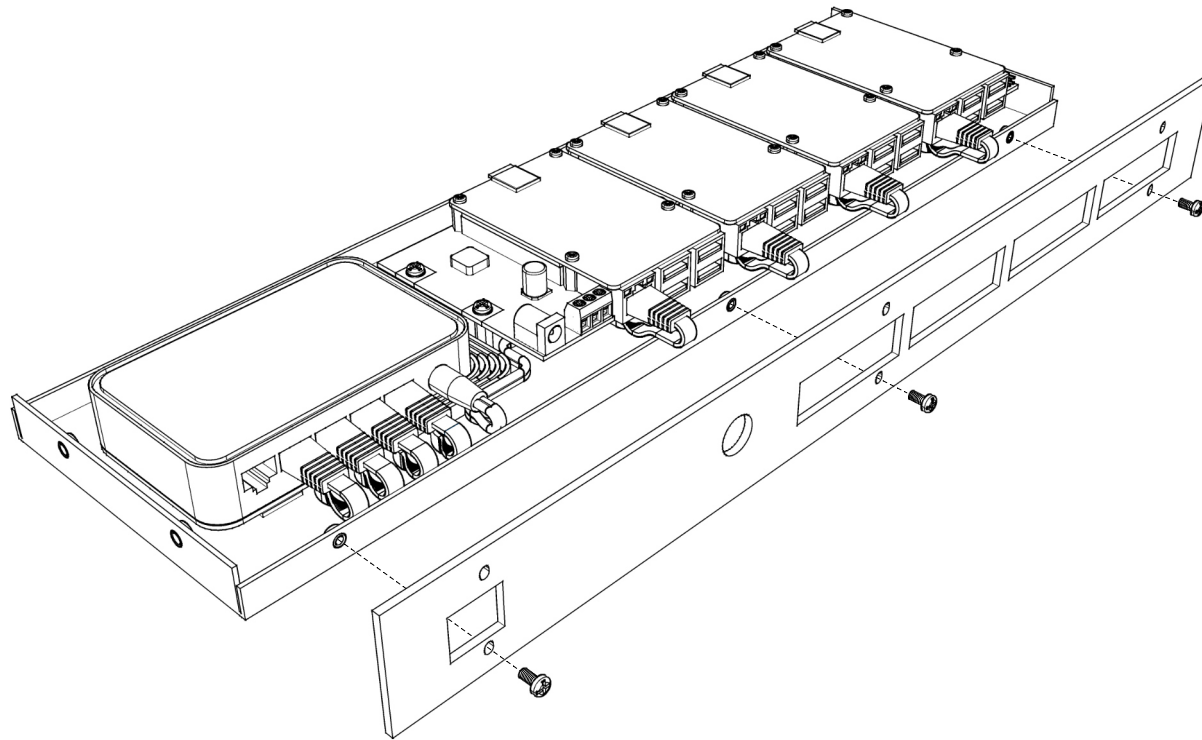


3



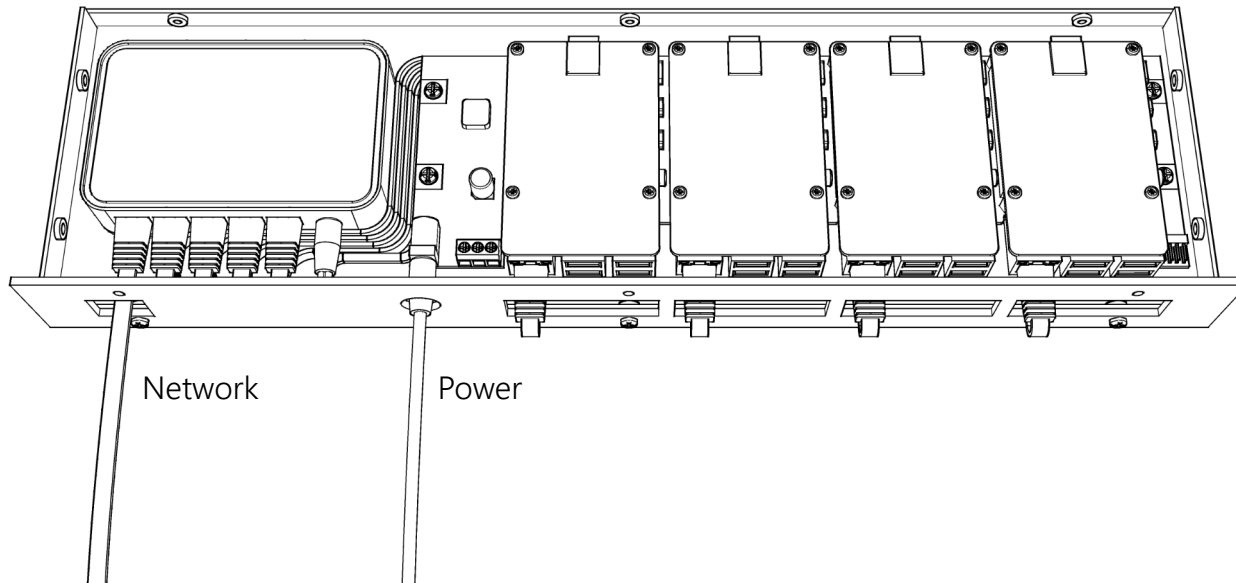
4





M3 10mm x 3

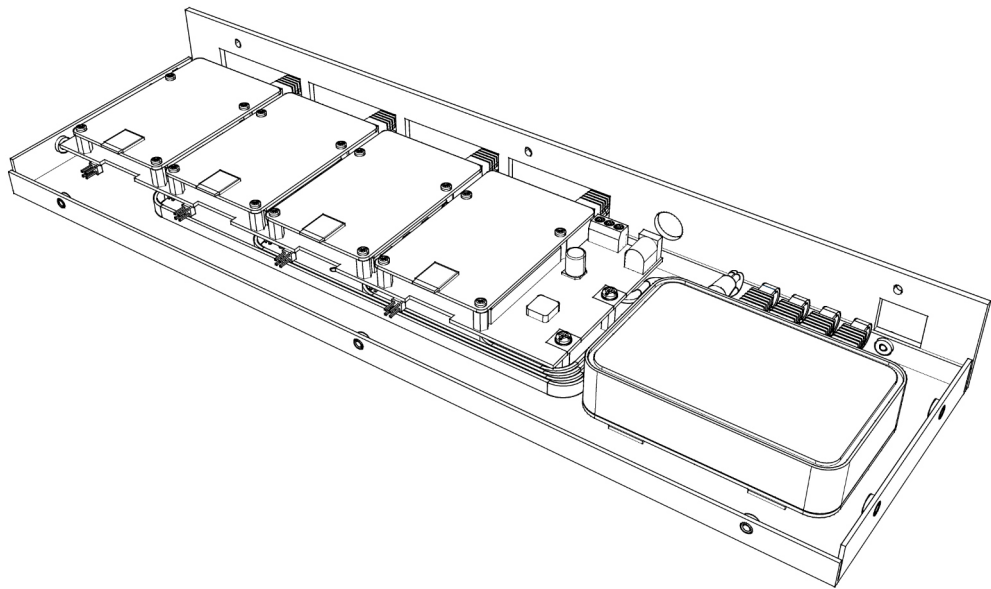
5



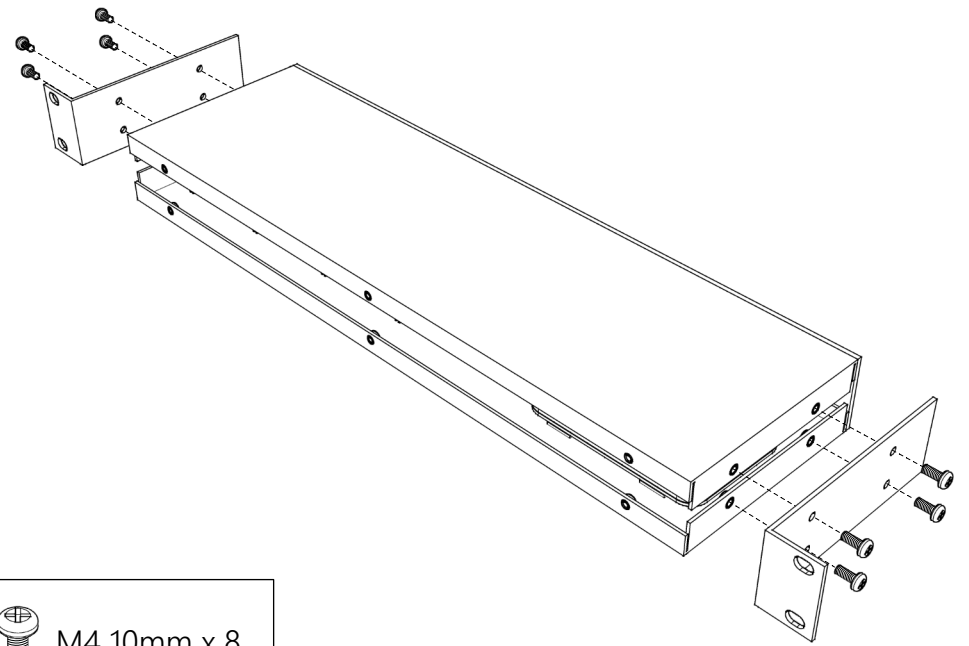
Network

Power

6

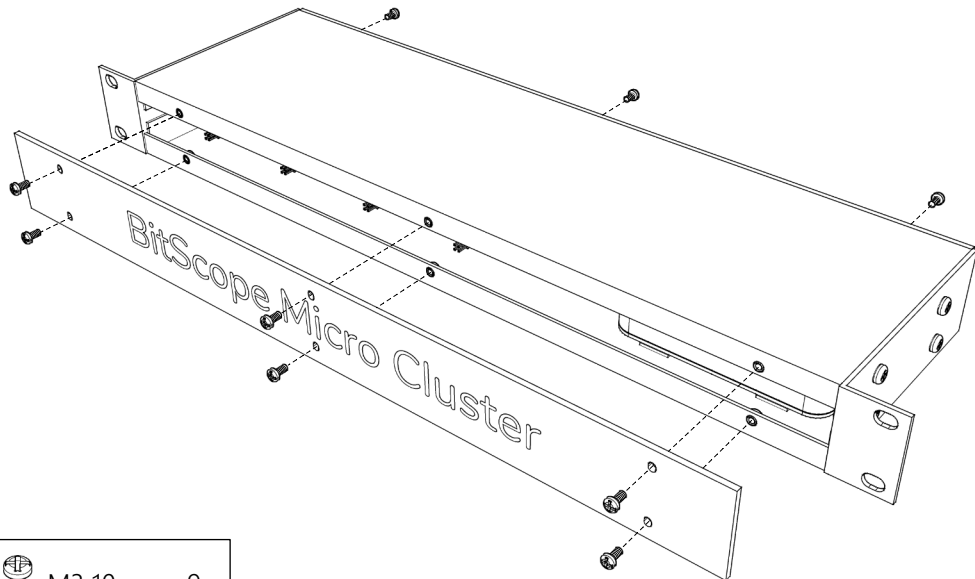


7



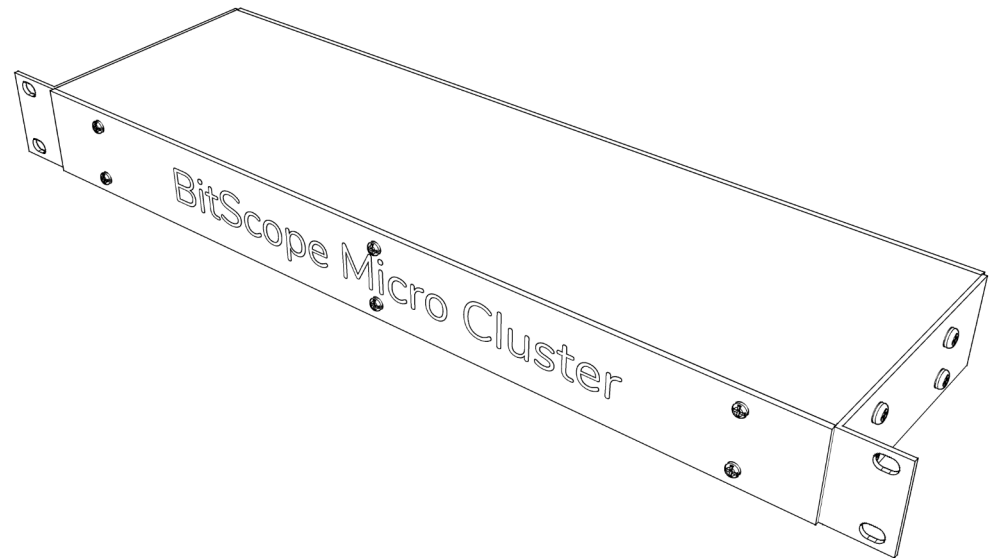
M4 10mm x 8

8



M3 10mm x 9

9



10