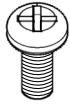


Product Assembly Guide

COMPONENTS



M4 10mm x 8



M3 6mm x 56



M3 10mm x 12



M3 CSK x 8



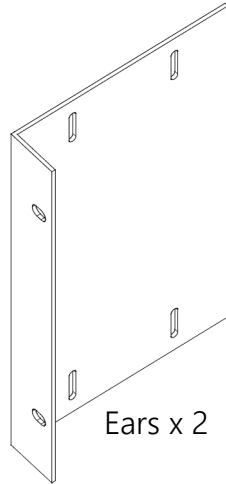
M3 Washer x 56



M3 Bracket x 32

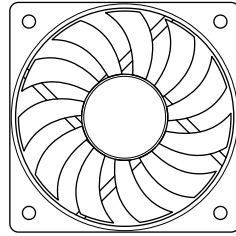


Blade Support Bracket x1



Ears x 2

RACK FAN KIT



Fan 80mm x 4

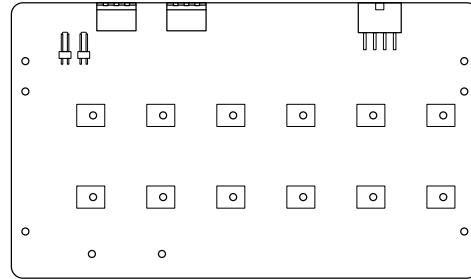


M3 15mm x 16

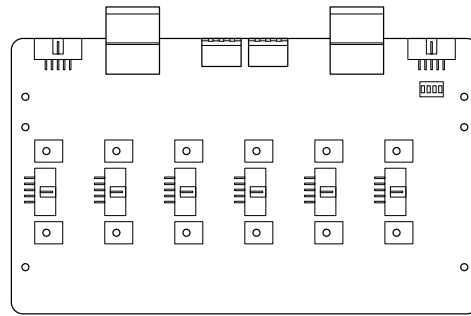


M3 Nut x 16

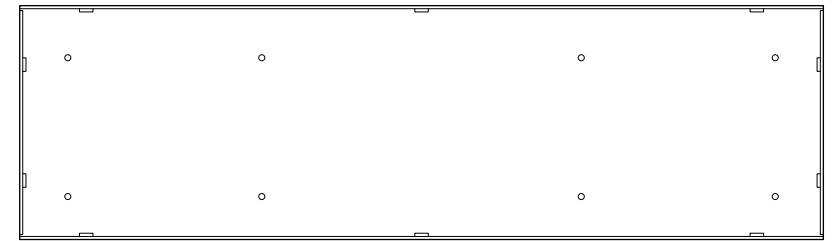
may include fan guard



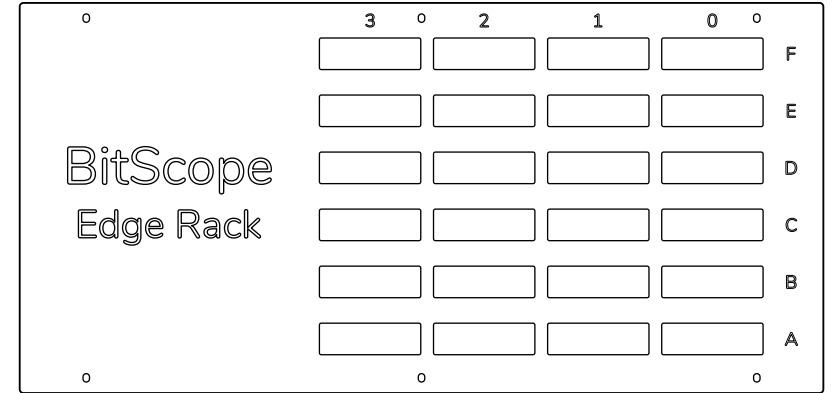
Power Plate x1



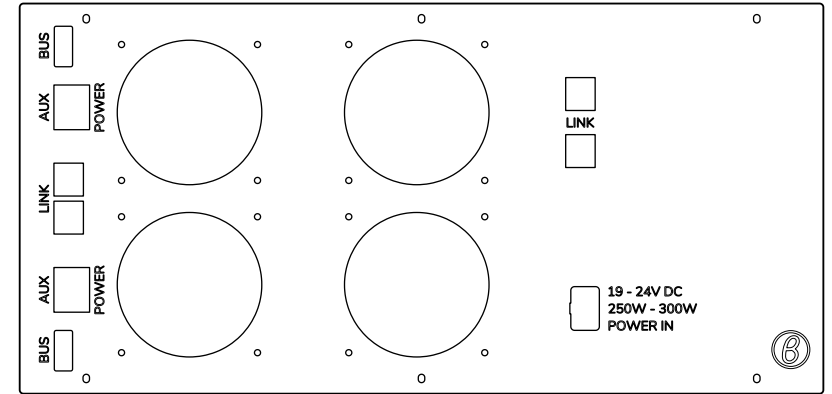
Ground Plate x1



Mounting Tray x 2

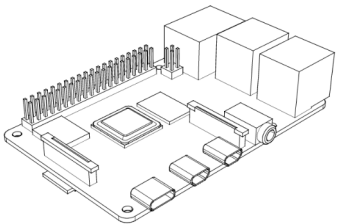


Front Panel x1



Back Panel x1

Raspberry Pi x 24

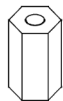


may be supplied separately

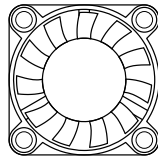
Cluster Blade Kit x 6



M2.5 x 32



M2.5 10mm Standoff x 16



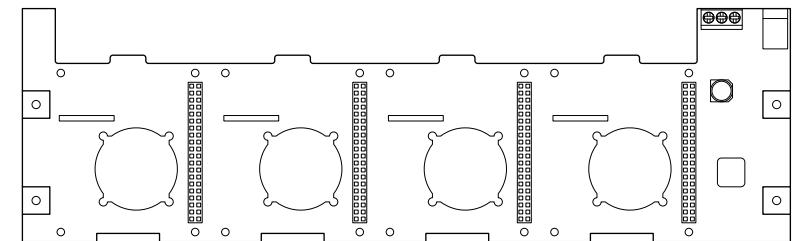
Fan x 4



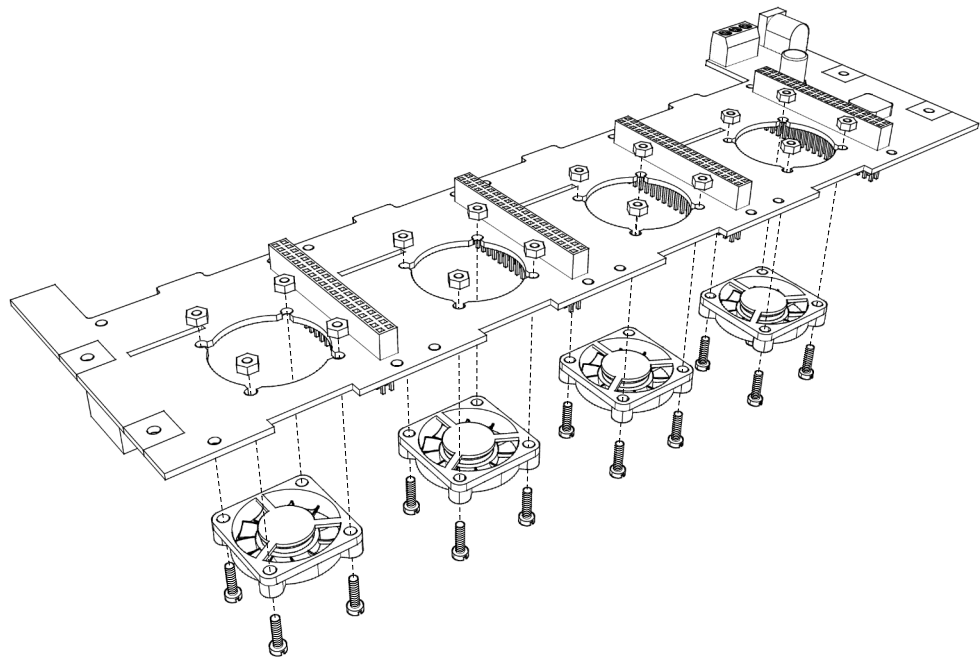
M2.5 10mm x 16




M2.5 Nut x 16




may be pre-assembled

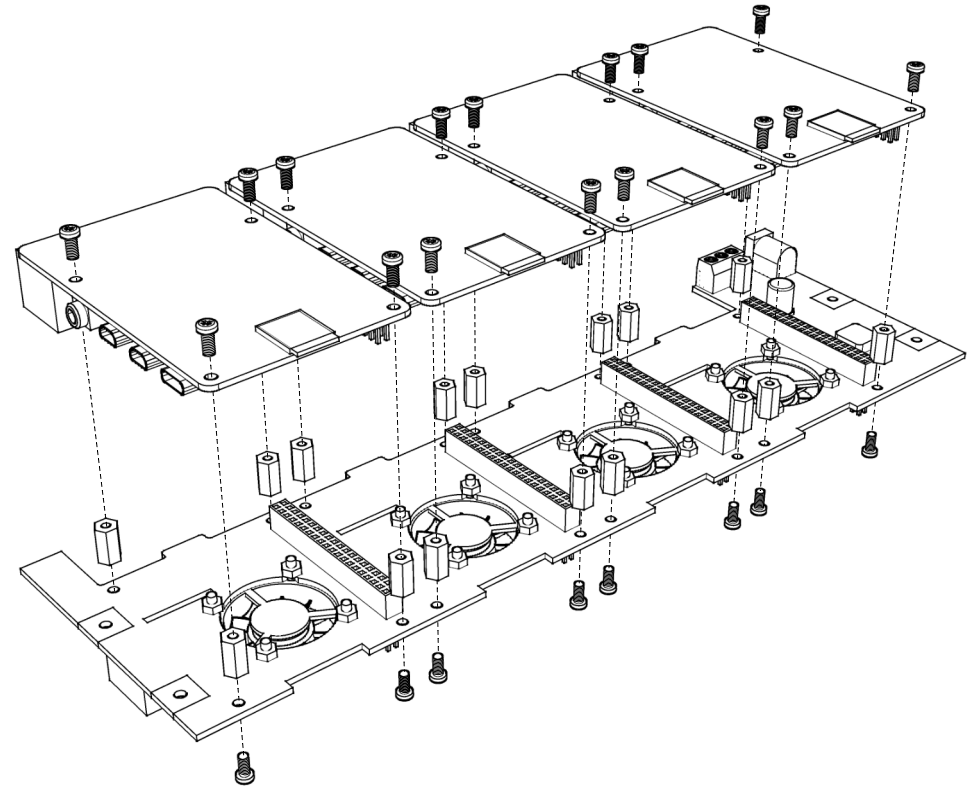


FAN KIT PARTS


 M2.5 10mm x 16

 M2.5 Nut x 16

1

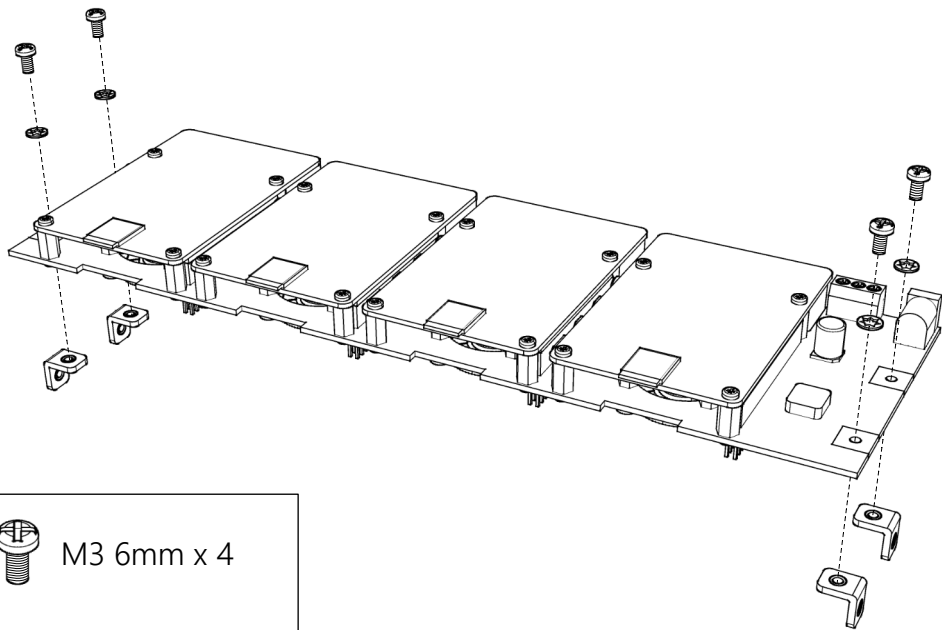


PI KIT PARTS

 M2.5 x 32

 M2.5 Standoff x 16

2

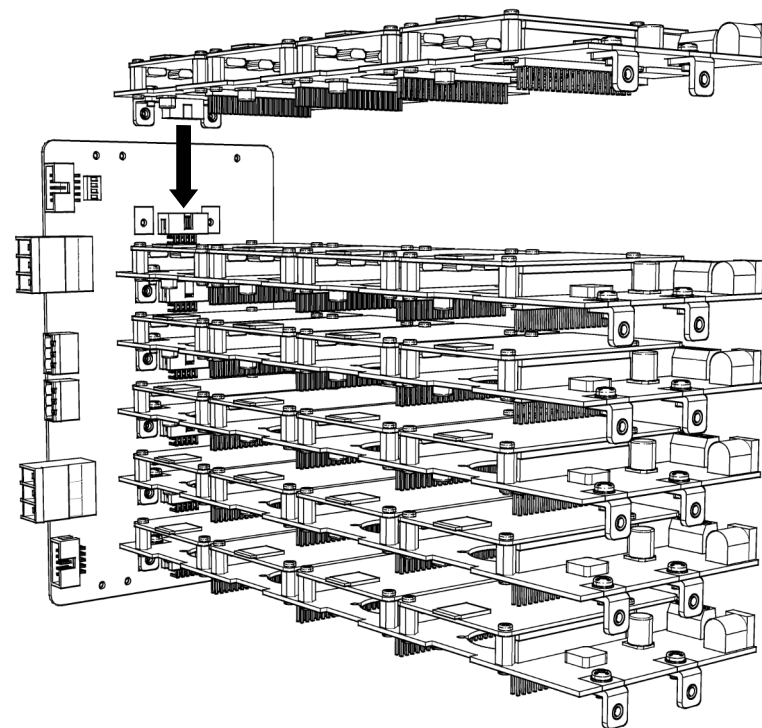


M3 6mm x 4

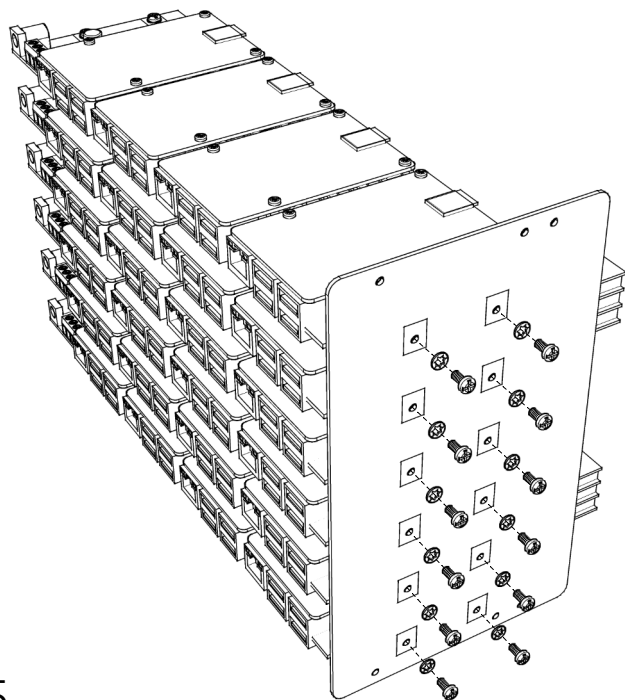


M3 Washer x 4

3



4

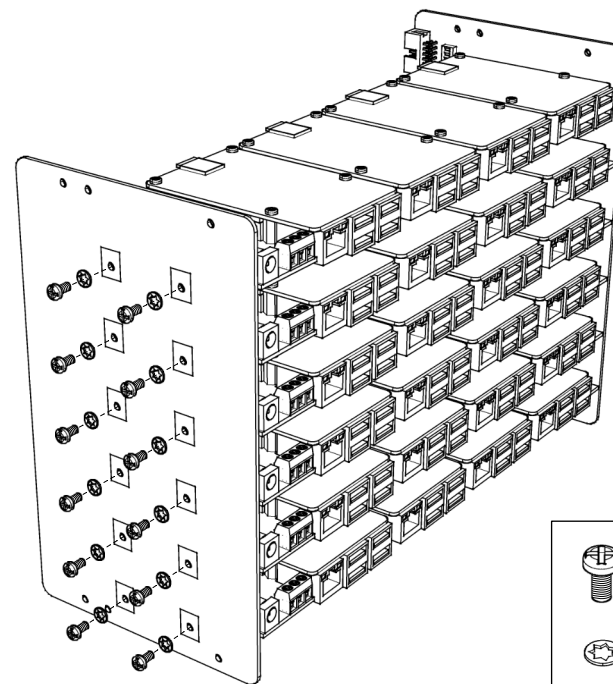


M3 6mm x 12



M3 Washer x 12

5



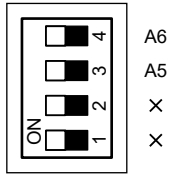
M3 6mm x 12




M3 Washer x 12

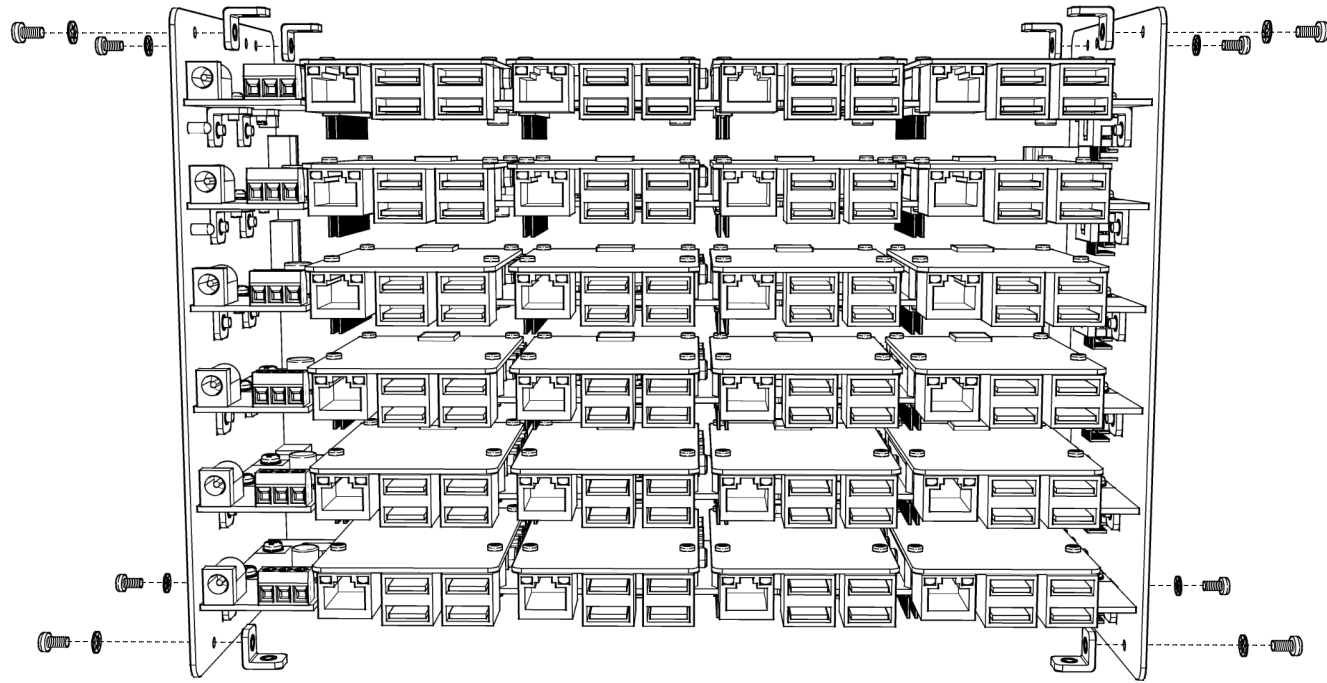
6

Cluster Pack Dip Switch Settings

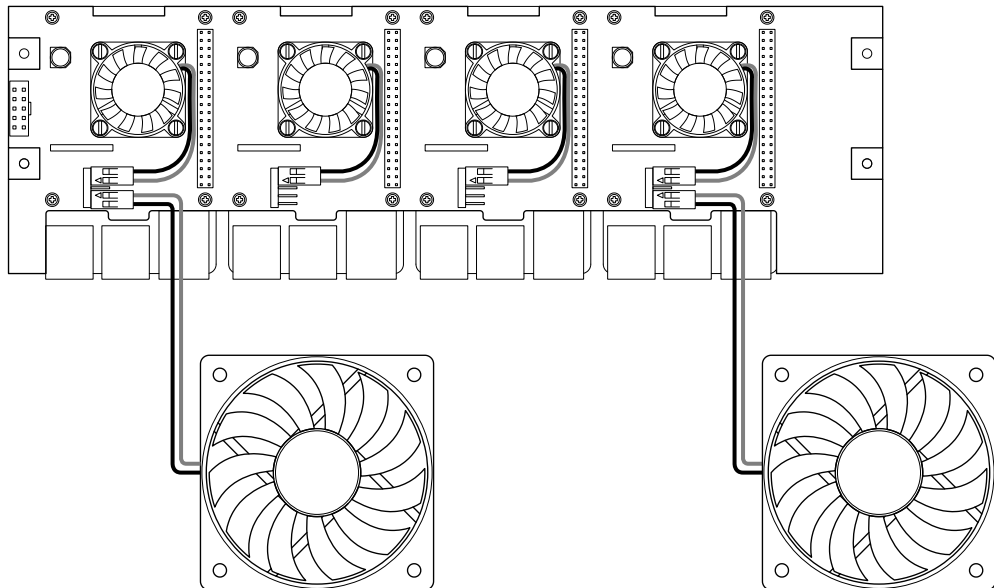


 M3 6mm x 8

 M3 Washer x 8

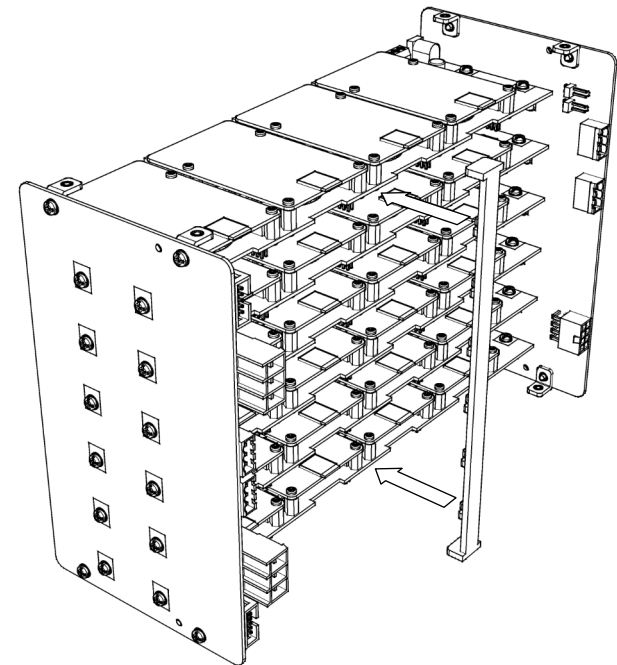


7

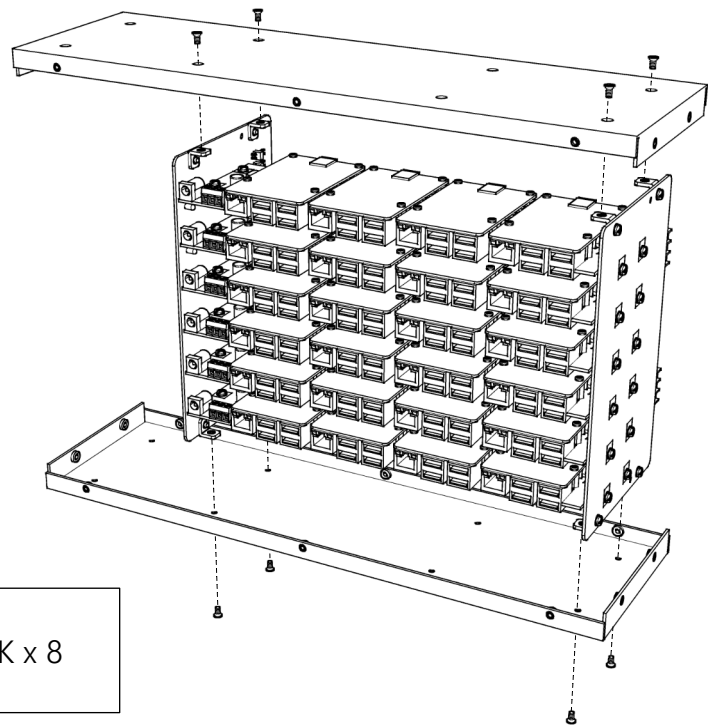


Connect external fans to different blades before next step

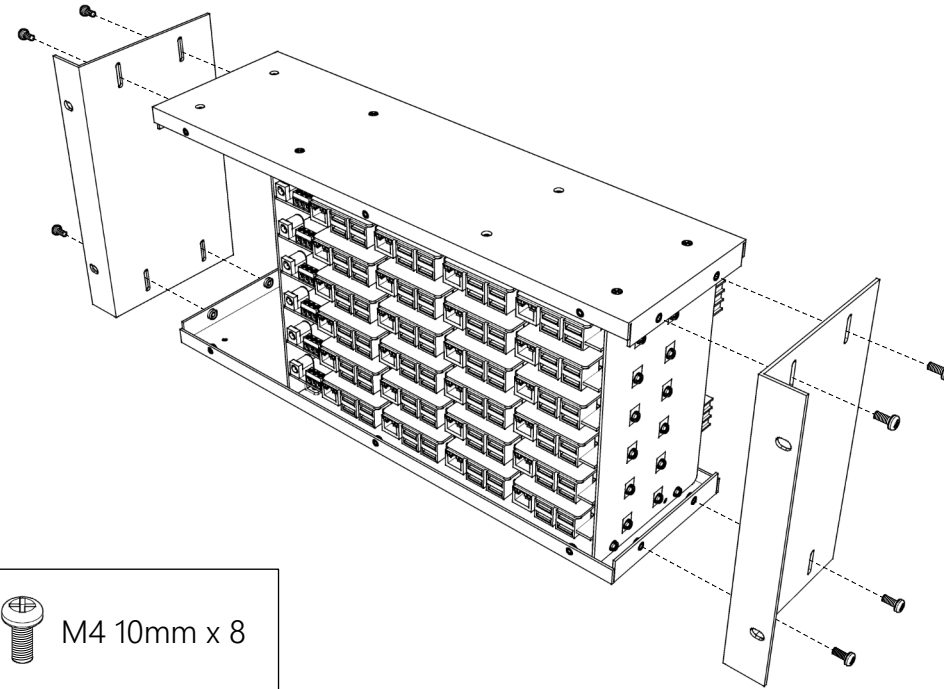
8



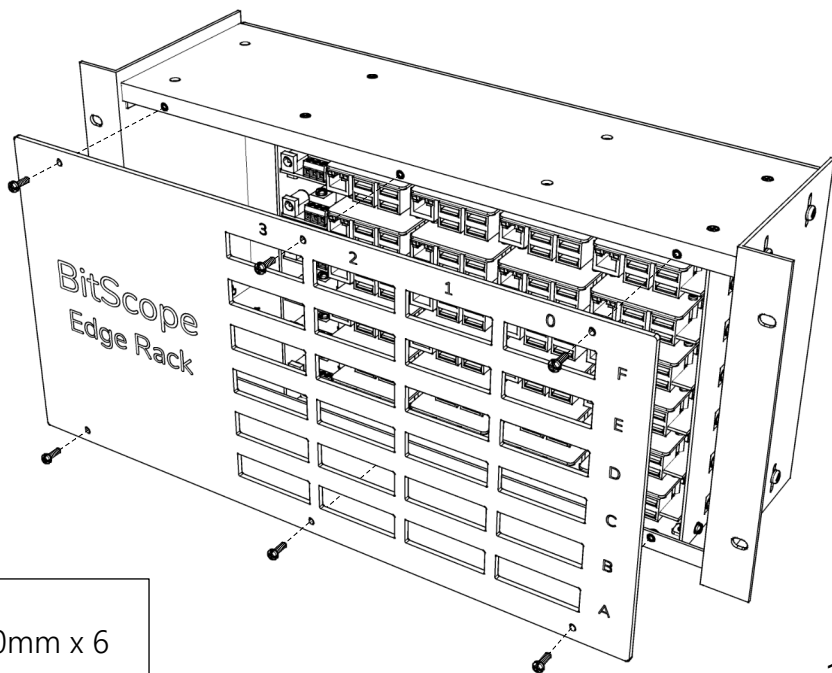
9



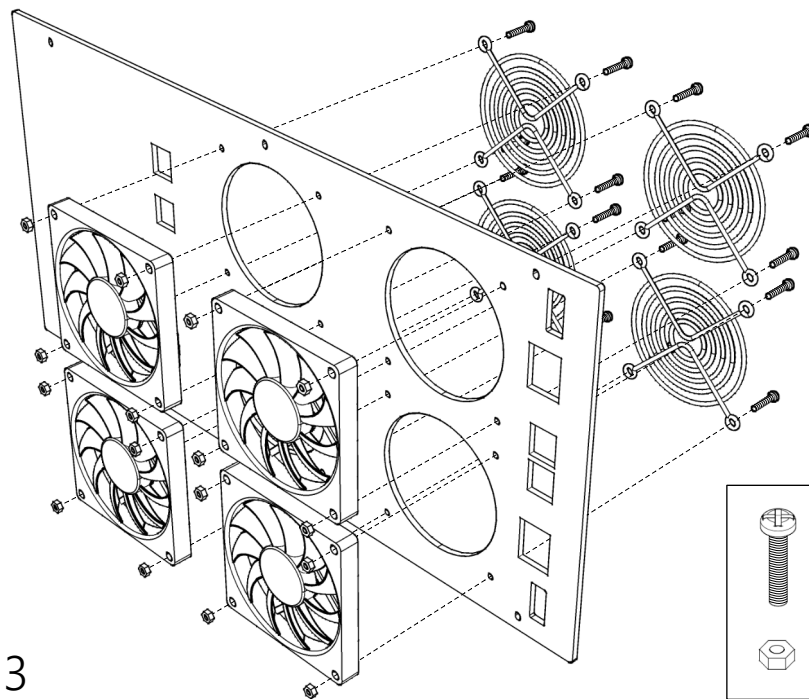
10



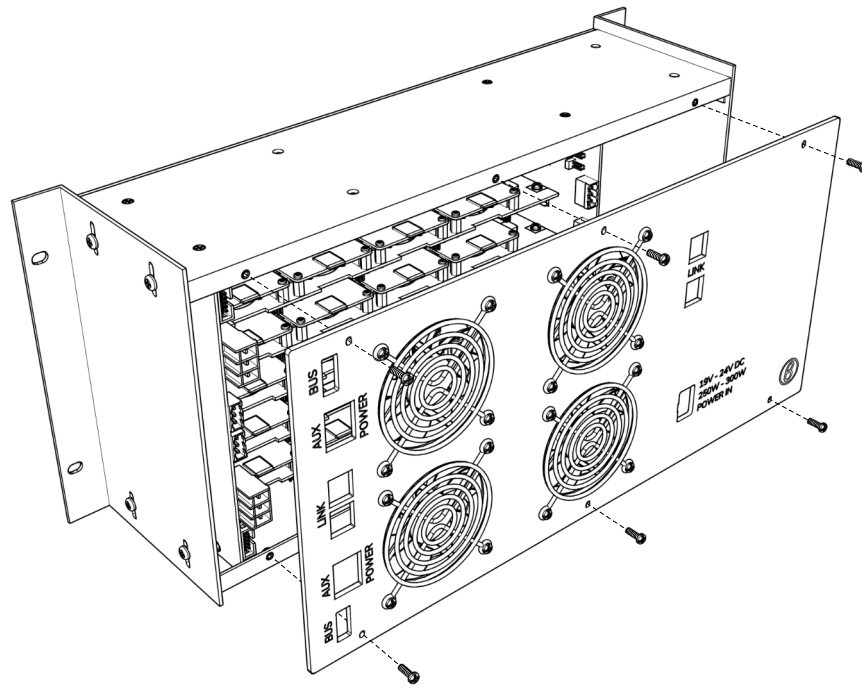
11



12

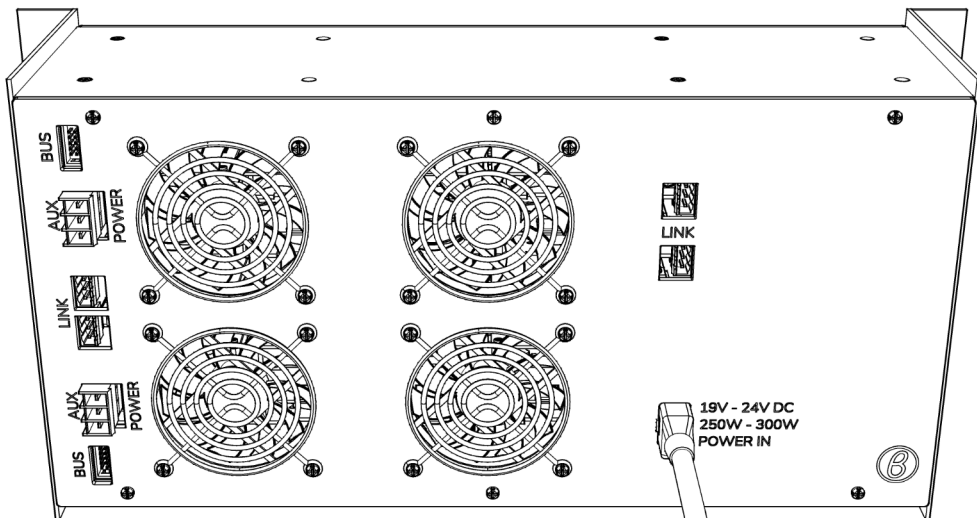


13

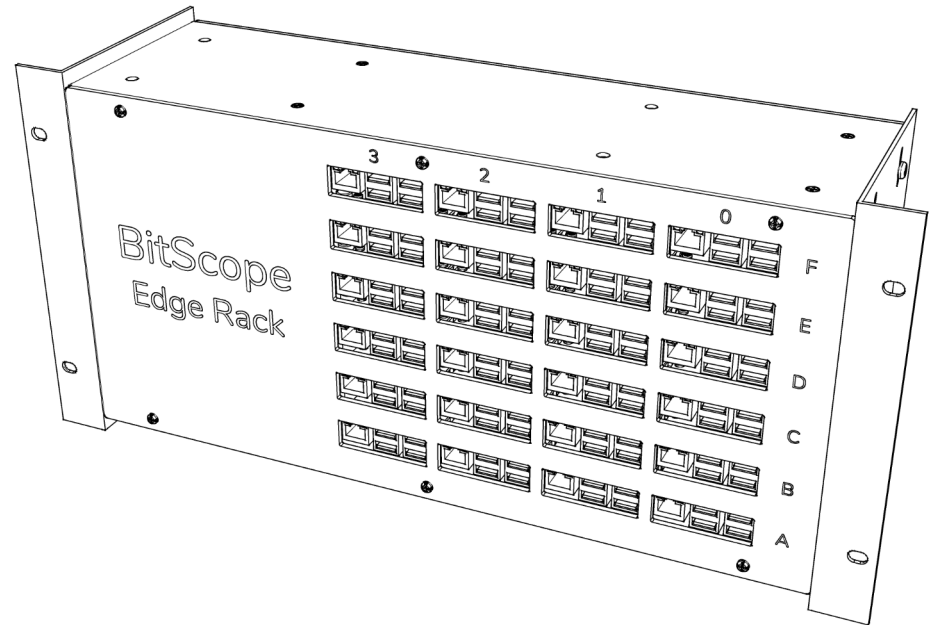


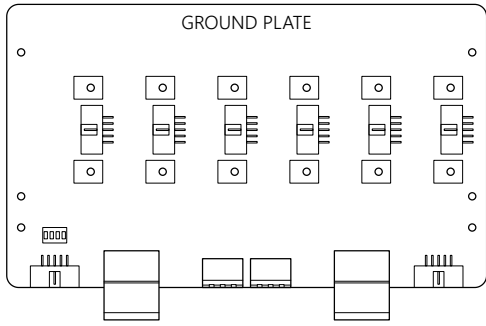
M3 10mm x 6

Refer to power supply guide for options

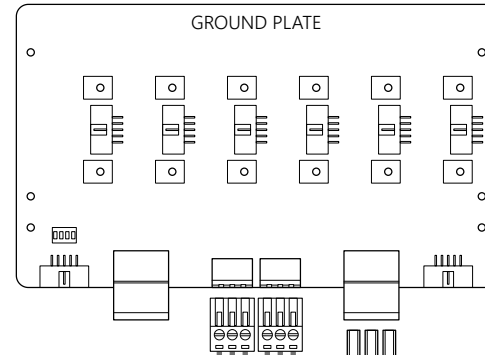
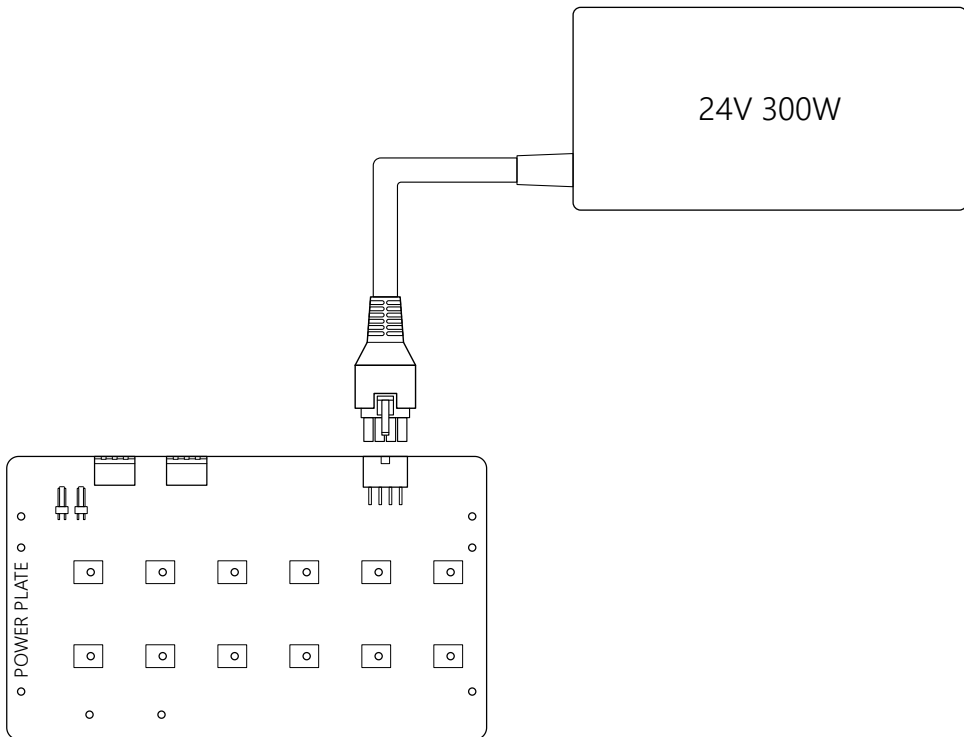


19V-24V DC 250W-300W

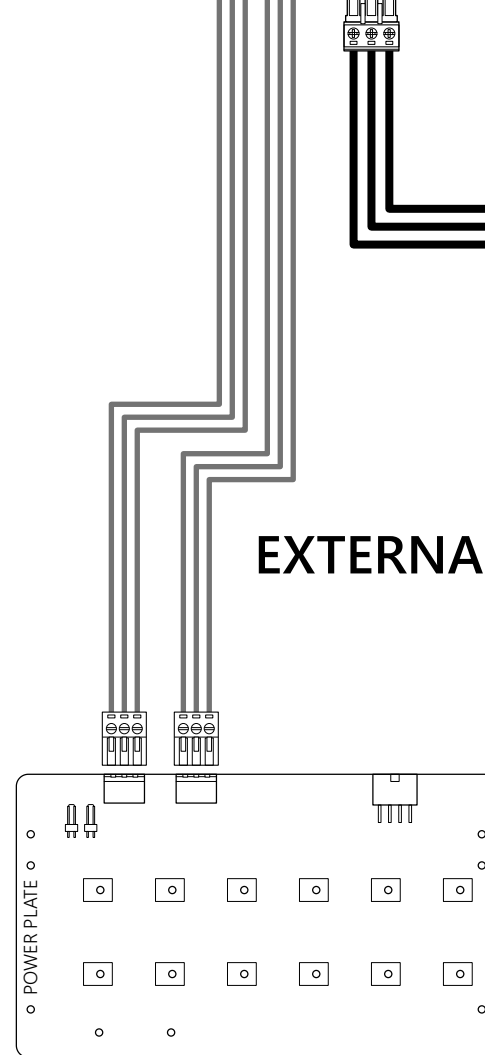


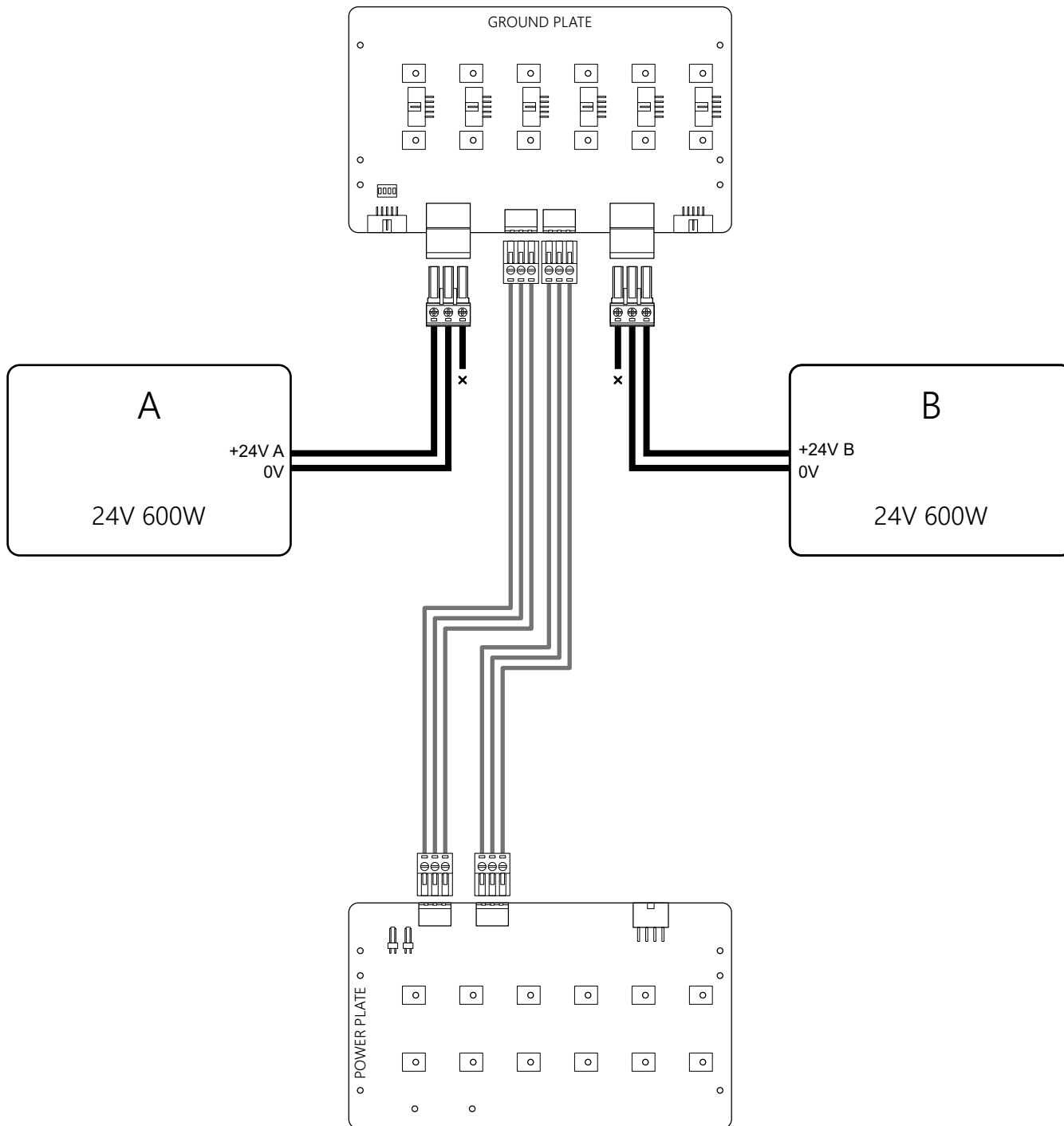


DEFAULT WIRING



EXTERNAL POWER WIRING





**DUAL REDUNDANT
POWER WIRING**